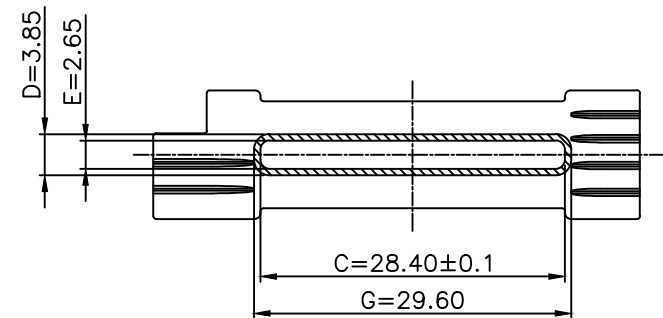
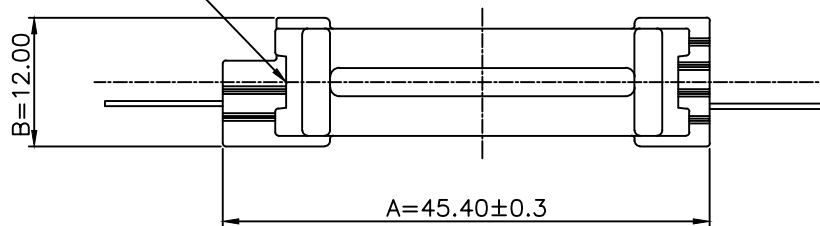


GATE 도피홈



SECTION A-A

REMOVE : 1,2,3,5,6,8

△						
△						
△						
△	가이드 높이 수정(+0.5)		14.02.25	HK, Yang	SH, Kim	C, Park
MARK	REVISION NOTE		DATE	DRAWN	CHECKED	APPROVED
DRAWN	CHECKED	APPROVED	MATERIAL : LCP	UL REC. : UL94V-0	THIRD ANGLE PROJ.	SCALE : 1/1
HK, Yang	SH, Kim	C, Park	Z : PIN LENGTH (According to customer's request)	DATE : 2014.01.17	TOLERANCE :±0.2 (Unless otherwise specified)	UNIT : m/m
주회회사 대흥보빈 DAE HEUNG BOBBIN CO., LTD			TITLE	DWG NO		
			EE 14 V (8P)	DH-140206-2094-00		